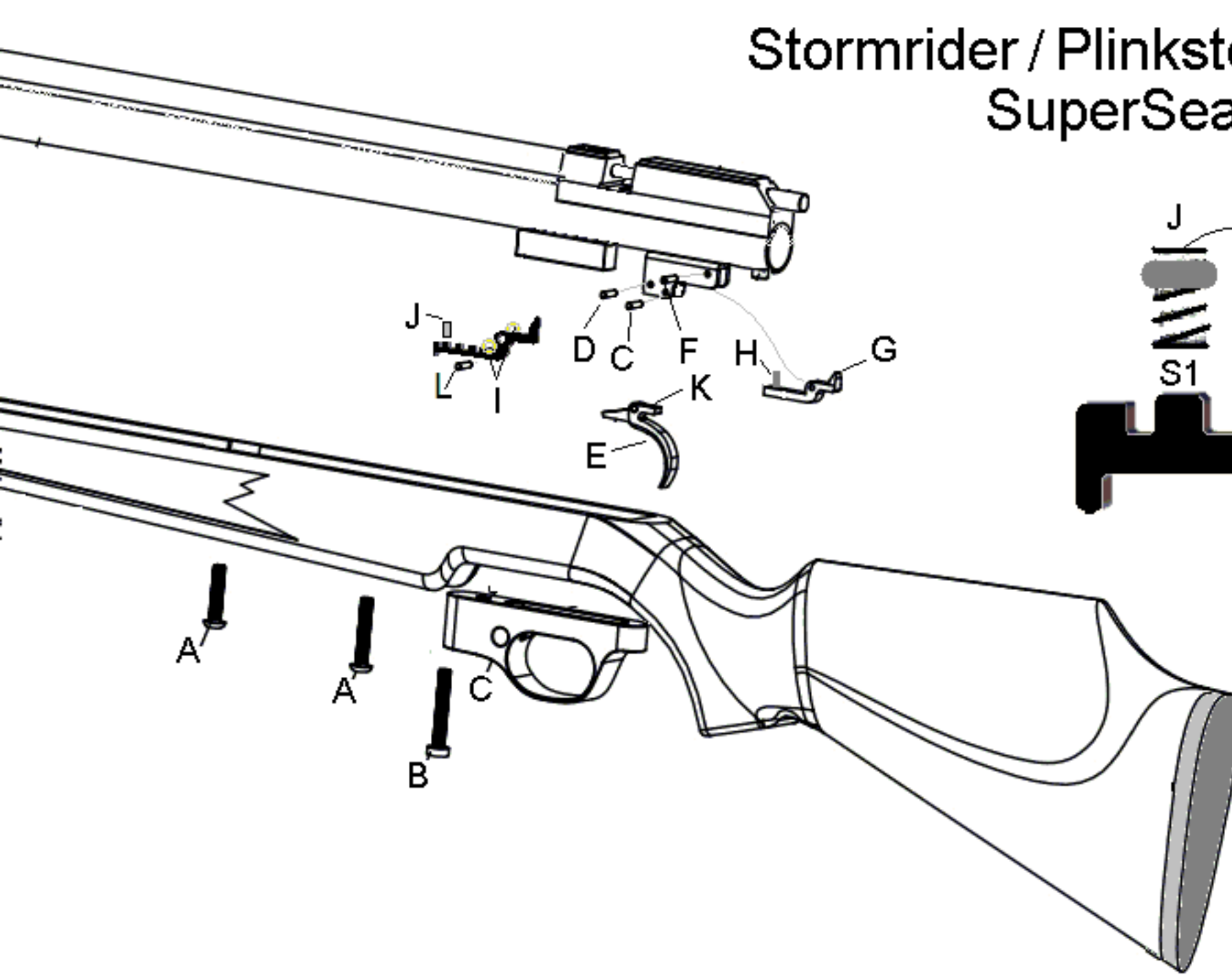


Stormrider / Plinkster / Varmint / CP-1M etc. SuperSear Installation

Version 5
4/15/2018

©Steve in NC 2018



-- A NOTE ABOUT PARTIAL TRIGGER PULLS --

FOLLOWING SUPERSEAR INSTALLATION, ESPECIALLY IF A LIGHT PULL WEIGHT IS SELECTED, THE SEAR MAY NOT ALWAYS SELF-RESET TO FULL ENGAGEMENT WHEN THE TRIGGER IS PARTIALLY PULLED AND THEN RELEASED. IT IS THEREFORE GOOD PRACTICE TO ALWAYS RECOCK THE GUN WHENEVER THE TRIGGER IS TOUCHED BUT THE SHOT IS NOT TAKEN. BE SAFE.

1. **SAFETY FIRST! VERIFY THAT GUN IS UNLOADED AND UNCOCKED!**
2. REMOVE STOCK SCREWS A, TRIGGER GUARD SCREW B, AND TRIGGER GUARD C.
FOR PCP MODELS, REMOVE PRESSURE GAUGE IF NECESSARY TO FREE ACTION. LIFT ACTION FROM STOCK.
3. REMOVE TRIGGER PINS C, D, AND TRIGGER BLADE E.
4. REMOVE SEAR PIN F, SEAR G, AND SPRING H.
5. ASSEMBLE SUPERSEAR WITH REPLACEMENT SPRING J. PLACE SPRING OVER SEAR TAB S1, 2, OR 3 ACCORDING TO PREFERRED PULL WEIGHT: 1 = MODERATE, 2 = LIGHTER, 3 = LIGHTEST.
6. POSITION CENTERING SPACERS I ON SIDES OF SUPERSEAR / SPRING ASSEMBLY AND INSTALL IN TRIGGER HOUSING WITH PRECISION STAINLESS STEEL REPLACEMENT PIN L FROM KIT.
7. REINSTALL TRIGGER WITH PIN D, BUT DO NOT REINSTALL PIN C -- AT LEAST NOT FOR NOW.
8. REINSTALL STOCK AND TRIGGER GUARD. BE CAREFUL TO AVOID TRAPPING TRIGGER BLADE UNDER GUARD.
9. TEST TRIGGER (BEING CAREFUL TO MAINTAIN MUZZLE CONTROL). IF SATISFACTORY 1ST AND 2ND STAGES ARE FELT, INSTALLATION IS COMPLETE. CONGRATULATIONS! OTHERWISE, PROCEED TO STEP 10.
10. REMOVE TRIGGER GUARD AND ALLOW TRIGGER TO FLIP FORWARD, ALLOWING ACCESS TO ADJUSTMENT SCREW K.
11. IF 2ND STAGE TOO LIGHT OR MISSING, TURN SCREW OUT (COUNTERCLOCKWISE) USING 1.5mm ALLEN WRENCH PROVIDED. IF 2ND STAGE TOO LONG OR TOO HEAVY, TURN SCREW IN (CLOCKWISE). SMALL ADJUSTMENTS (1/4 TURN OR LESS) ARE SUGGESTED.
12. REINSTALL TRIGGER GUARD AND RETURN TO STEP 9.