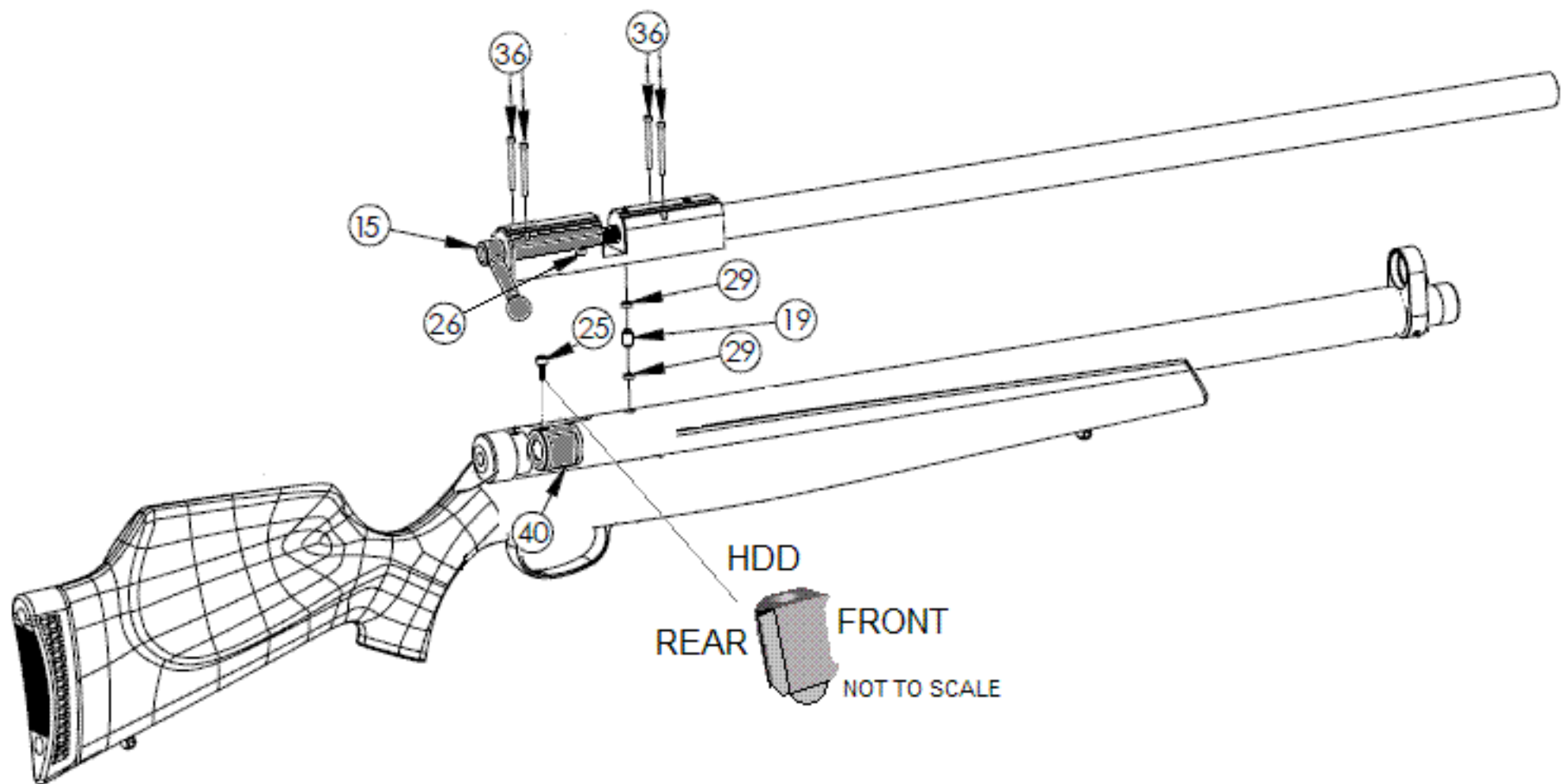


INSTALLING THE AoA SynRod HDD



1. SAFETY FIRST! Verify that rifle is unloaded and uncocked. SAFETY FIRST!
2. Remove Breech screws #36 (x4) and lift Breech clear. Be careful not to misplace Transfer Port #19 or Gaskets #29 (x2)..
3. Remove Striker Stud #25. Turn Bolt Stud #26 (located inside Breech slot) one turn counterclockwise (out).
4. Apply a few drops of Pellgun Oil (or similar lubricant) into both Bolt #15 and Striker #40 through their respective slots.
5. Accurately center the hole in Striker \$40 left by removal of Stud #25, in the middle of the slot above the Striker. Set the HDD in the hole and turn it accurately facing forward as shown. Accurate alignment of the HDD is important for its entry into the Breech slot which is a close fit.
6. Restore Transfer Port and Gaskets to their original positions, and seat Breech over them and the HDD. Replace Breech screws.
7. Cock and test fire to check for proper operation. Note that cocking may be tight at first, but will improve with use.