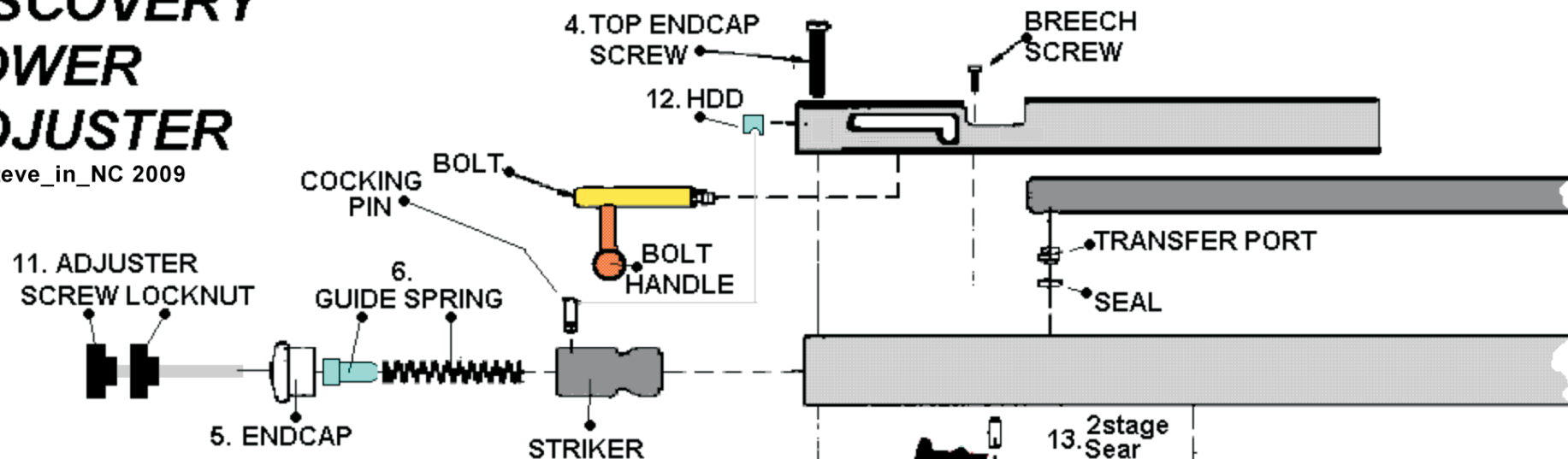


# DISCOVERY POWER ADJUSTER

©Steve\_in\_NC 2009



## POWER ADJUSTER INSTALLATION

Verify that Rifle is Unloaded and Uncocked!

Safety FIRST!!

1. REMOVE SAFETY BUTTON
2. REMOVE STOCK
3. REMOVE BOTTOM ENDCAP SCREW
4. REMOVE TOP ENDCAP SCREW
5. REMOVE ENDCAP AND STOCK STRIKER SPRING
6. INSERT GUIDE INTO REPLACEMENT SPRING AND INSERT INTO STRIKER
7. REPLACE ENDCAP
8. REPLACE TOP AND BOTTOM ENDCAP SCREWS
9. REPLACE STOCK
10. REPLACE SAFETY BUTTON
11. INSTALL POWER ADJUSTER SCREW AND LOCKNUT

