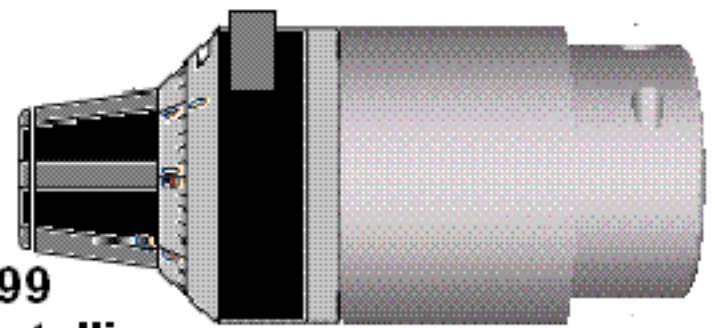
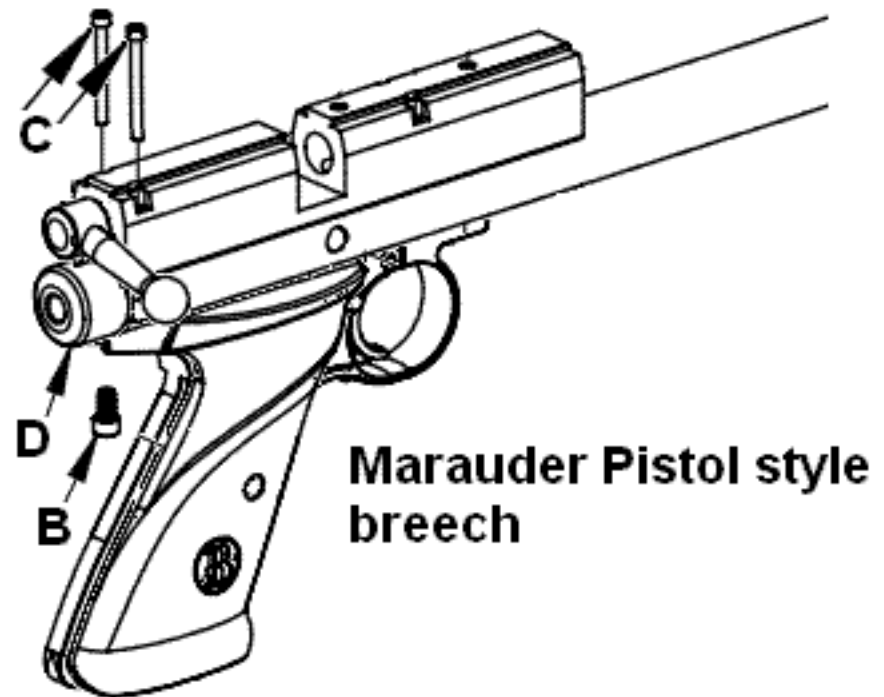
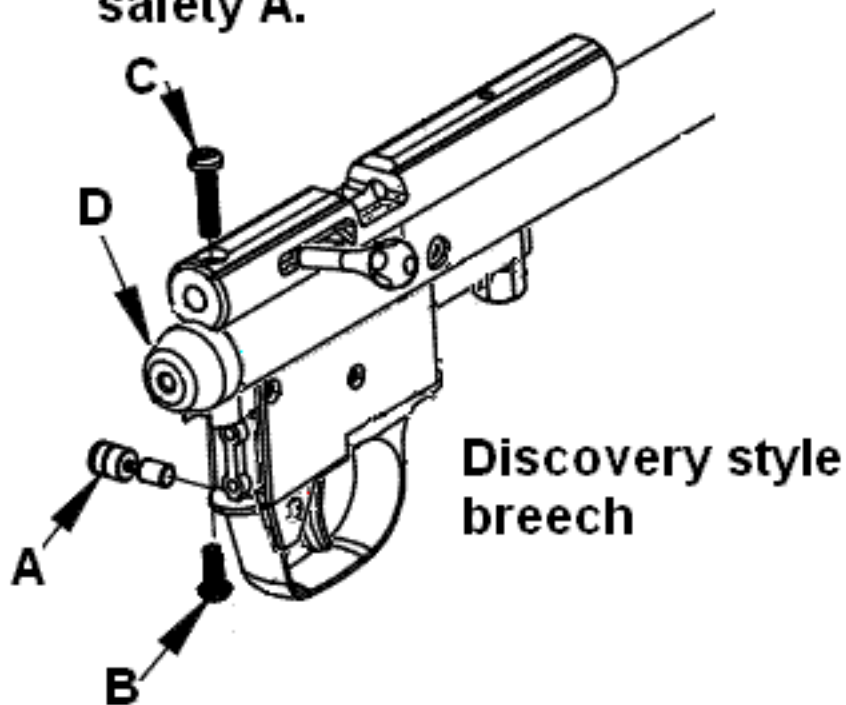


# Installing the *SpeedDial 75*



**Note: Don't turn Dial beyond 999 before installing.**

- 1. Safety first! Verify that rifle is unloaded and uncocked. Safety first!**
- 2. Remove bottom Endcap screw B. Note that in some guns (e.g., Disco and 2260) this may require first removing stock, which may require removing safety A.**



- 3. Remove top Endcap screw(s) C.**
- 4. Remove stock Endcap D, and replace with SpeedDial.**
- 5. Reassemble gun.**